

# Gefen

## 2X VGA Extender

EXT-VGA-CAT5-142

User Manual



[www.gefen.com](http://www.gefen.com)

## ASKING FOR ASSISTANCE

---

### Technical Support:

Telephone (818) 772-9100  
(800) 545-6900

Fax (818) 772-9120

### Technical Support Hours:

8:00 AM to 5:00 PM Monday thru Friday.

### Write To:

Gefen Inc.  
c/o Customer Service  
20600 Nordhoff St  
Chatsworth, CA 91311

[www.gefen.com](http://www.gefen.com)  
[support@gefen.com](mailto:support@gefen.com)

### Notice

Gefen Inc. reserves the right to make changes in the hardware, packaging and any accompanying documentation without prior written notice.

**USB Extender** is a trademark of Gefen Inc.

# CONTENTS

---

1. **Introduction / Operation Notes**
2. **Features**
3. **Sender Panel Descriptions**
4. **Receiver Panel Descriptions**
5. **Connecting And Operating The EXT-GEF-USB**
6. **Specifications**
7. **Warranty**

# INTRODUCTION

---

Congratulations on your purchase of the EXT-GEF-USB. Your complete satisfaction is very important to us.

## **Gefen**

Gefen delivers innovative, progressive computer and electronics add-on solutions that harness integration, extension, distribution and conversion technologies. Gefen's reliable, plug-and-play products supplement cross-platform computer systems, professional audio/video environments and HDTV systems of all sizes with hard-working solutions that are easy to implement and simple to operate.

## **The Gefen EXT-GEF-USB**

The Gefen USB Extender extends any USB device up to 150 feet from the location of your computer, eliminating the 16.5 feet distance limitation of USB. The Gefen USB sender and receiver units use one CAT-5 cable for extension. It is optimized for applications where two devices, such as the keyboard and mouse, must be operated remotely. The Gefen USB extender can even be used to extend surveillance cameras for security purposes.

## **How It Works**

The Gefen USB 1.1 extender sender unit is connected to the computer using the supplied USB cable. The remote peripheral(s) are connected to the receiver unit. A category-5 (CAT-5) cable is used to link the sender to the receiver.

---

# OPERATION NOTES

---

## **READ THESE NOTES BEFORE INSTALLING OR OPERATING THE EXT-GEF-USB**

- Use industry standard CAT-5, CAT5e or CAT-6. Gefen recommends using solid core cabling for maximum performance.
- Each cable run must be one continuous run from one end to the other. No splitters or use of punch down blocks.
- The USB Extender is USB 1.1 compliant
- The USB Extender can extend USB a maximum of 150 ft (45m)

# FEATURES

---

## Features

- Extends any USB 1.1 device up to 150 feet (45 meters) using CAT-5, CAT-5e or CAT-6 cable
- Provides support for any full-speed 12 Mb/s or low-speed
- Use either PC or Mac with USB keyboard/mouse

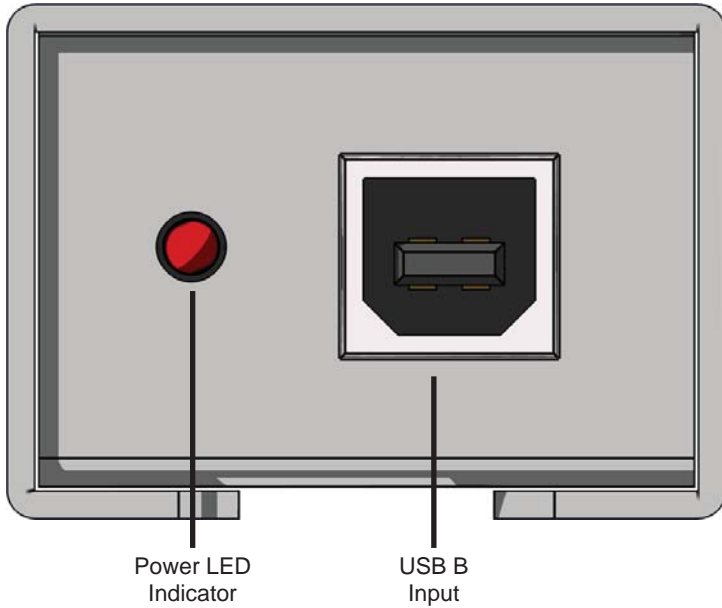
## Package Includes

- (1) Gefen USB Extender sender unit
- (1) Gefen USB Extender receiver unit
- (1) 6 feet USB cable (A-B)
- (1) Locking 5V DC Power Supply
- (1) User Manual

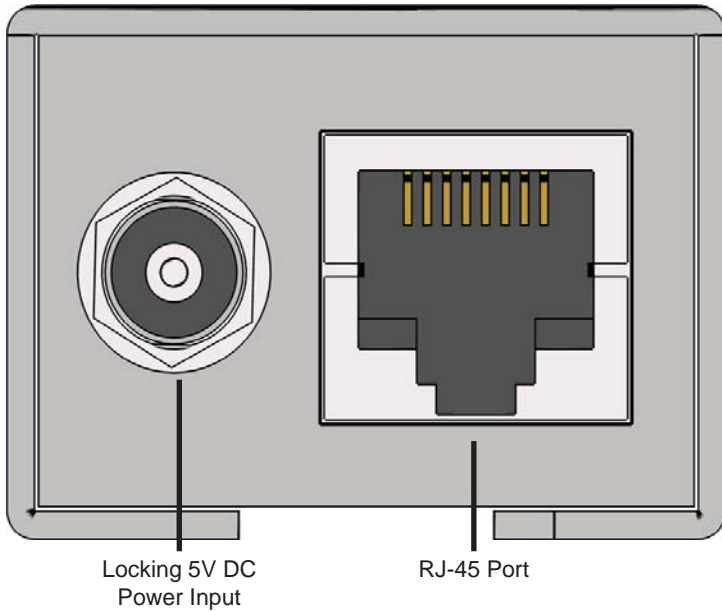
# SENDER PANEL DESCRIPTIONS

---

## ***Front Panel***



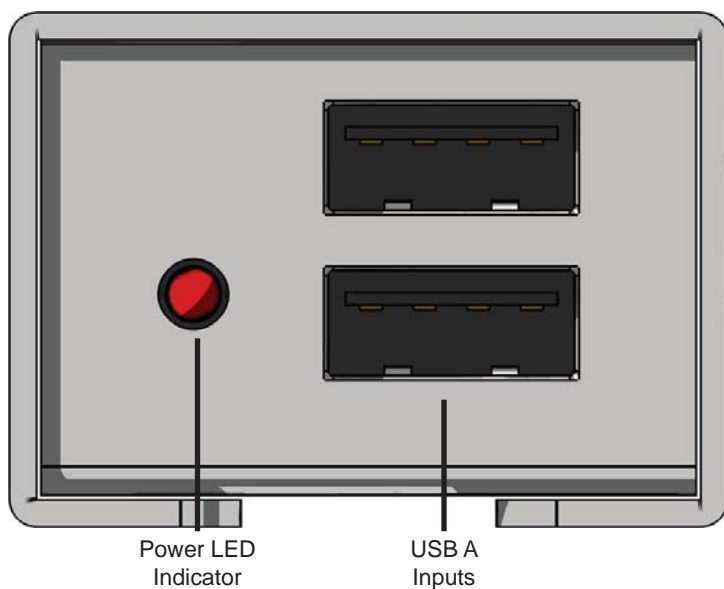
## ***Back Panel***



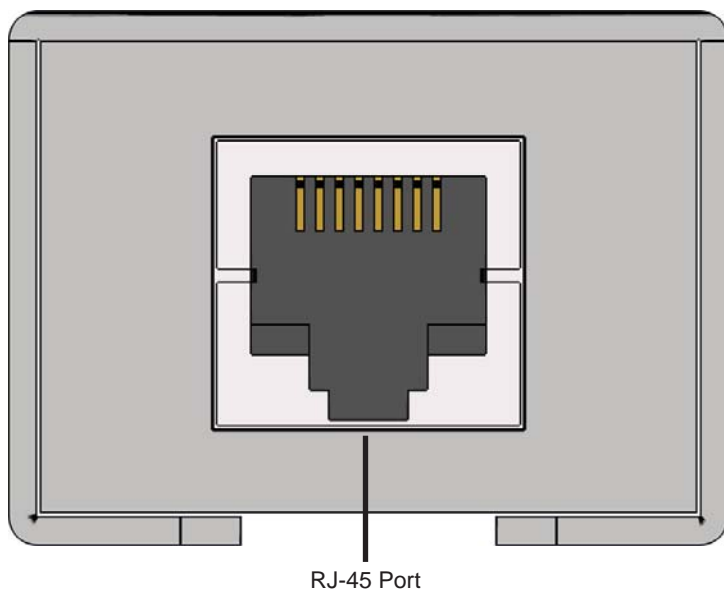
# RECEIVER PANEL DESCRIPTIONS

---

## Front Panel



## Back Panel



# CONNECTING AND OPERATING THE EXT-GEF-USB

---

## How to Connect the EXT-GEF-USB

1. Connect the computer to the USB Extender sender unit using the supplied USB A to B cable.
2. Connect USB peripherals to the USB Extender receiver using user/device supplied USB cables.
3. Connect the USB Extender sender and receiver units together with a user supplied CAT-5, CAT-5e or CAT6 cable.

**NOTE:** If field terminating RJ-45 cables, please adhere to the TIA/EIA-568-B specification. Please see the NETWORK CABLE WIRING DIAGRAM on page 6 for more details.

4. Plug the included 5V DC power supply into the USB Extender sender unit. Once the power has been connected, both Power LED's on the sender and receiver unit should be lit.

## SPECIFICATIONS

---

USB device support: ..... Full-Speed 12 Mb/s Low-Speed 1.5 Mb/s  
USB Input Connectors: ..... Type B  
USB Output Connectors: ..... Type A  
Link Connector: ..... RJ-45 Shielded  
Dimensions: ..... 3.5" W x 1" H x 1" D  
Shipping Weight: ..... 2 lbs.