

PRODUCT INFORMATION



INDOOR HOUSINGS:

MPG

MULTI-POSITION GLOBE SERIES

MPG10, MPG14, MPG20



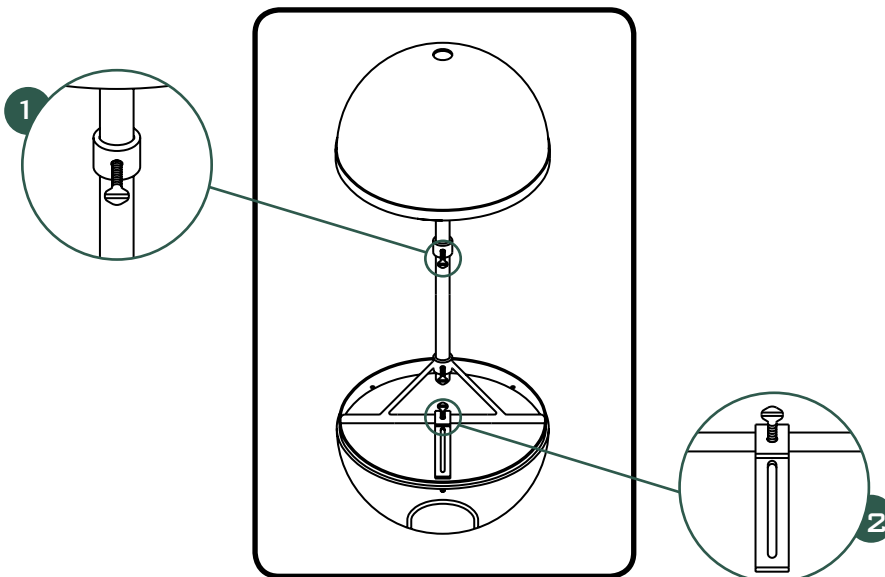
FEATURES

- Economically priced
- Indoor, pendant-mount housing
- Simple installation and camera access
- 10", 14", and 20" versions available

Wren Multi-Position Globes are pendant-mount housings and are perfect for use in nearly any indoor, suspended-beam ceiling application—retail, warehouses, factories, etc. The easy-to-use features of the MPG series of housings have made them a favorite with installers, and the clean, classic lines are pleasing to the eye.

Units are suspended from standard 3/4" electrical conduit (*not provided*). There are three optional accessories for mounting—suspended-beam ceiling, drop-ceiling tile and wall mounts. The lower unit is formed from acrylic and is available in bronze (*smoked*), clear or mirrored material, while the upper unit is available in either black or white and is formed from .125" HIPS. Internal brackets are constructed of heavy-gauge steel and feature a black, powder-coated finish. Camera positioning can be accomplished without the need for tools by utilizing thumbscrews for securing the horizontal and vertical position. The extraordinary features of the unit, coupled with its economical price, make the Multi-Position Globe a great value for your pendant-mount housing needs.

A Wren exclusive feature
**NO TOOLS
REQUIRED**
for service & repositioning™



HIGHLIGHTS

- 1) The servicing collar allows the upper unit to be held out of the way and provides unobstructed access to the camera.
- 2) By utilizing the Camera J-Mount, camera positioning is achieved by simply tightening a thumbscrew.
- 3) Optional mounts offer the convenience of wall, beam or drop-ceiling applications.



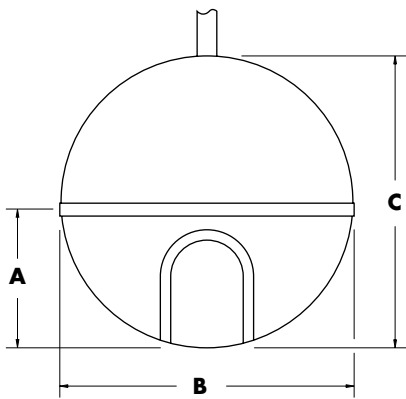
PROVEN CCTV SOLUTIONSSM

TECHNICAL SPECIFICATIONS

INDOOR HOUSINGS:

MPG

MULTI-POSITION GLOBE SERIES



PRODUCT DIMENSIONS

MODEL	A	B	C
MPG10BW-F	5" (12.70cm)	10" (25.40cm)	10" (25.40cm)
MPG14BW-F	7" (17.78cm)	14" (35.56cm)	14" (35.56cm)
MPG20BW-F	10" (25.40cm)	20" (50.80cm)	20" (50.80cm)

MODELS

MPG10BW-F 10" Multi-Position Globe, Bronze lower unit/White upper unit, for single, Fixed camera applications

MPG14BW-F 14" version of MPG10BW-F

MPG20BW-F 20" version of MPG10BW-F

Contact the factory for additional sizes and options

MECHANICAL PROPERTIES

Upper Unit .125" HIPS (94HB)

Lower Unit Acrylic (94HB)

Hardware Heavy-gauge steel construction with black powder coat finish

Unit Weight MPG10-F 2.5lbs (1.08Kg)

MPG14-F 4.3lbs (1.94Kg)

MPG20-F 7.3lbs (3.29Kg)

Shipping Weight MPG10-F 4.7lbs (2.11Kg)

MPG14-F 6.5lbs (2.93Kg)

MPG20-F 9.5lbs (4.28Kg)

OPTIONAL ACCESSORIES

GWM14 Globe Wall Mount. Adapts MPG10 and MPG14 for wall-mount installations.

GWM20 Globe Wall Mount. Adapts MPG20 for wall-mount installations.

GCTM Globe Ceiling Tile Mount. Adapts MPG for drop-ceiling installations.

GBM Globe Beam Mount. Adapts MPG for suspended-beam ceiling installations.

ENVIRONMENT

Indoor



Wren, 124 Wren Parkway, Jefferson City, MO 65109 USA

telephone (573) 893-2249 ■ toll-free (800) 881-2249 ■ facsimile (877) 893-2317

solutions@wrenassociates.com ■ www.wrenassociates.com

Wren, the Wren design logo, Wren IP Solutions, No Tools Required, Solution Set Series and Proven CCTV Solutions are trademarks of Wren Associates, Ltd. The trademarks that are followed by ® are registered trademarks in the U.S. All other trademarks and/or registered trademarks mentioned herein are properties of their respective owners and are used for reference purposes only. The use of these trademarks does not indicate any affiliation with or sponsorship of or by Wren Associates, Ltd. ©2005 Wren Associates, Ltd. All rights reserved.



8L136 rev-b (10/17/05)

Doc MD 7.2.210.05